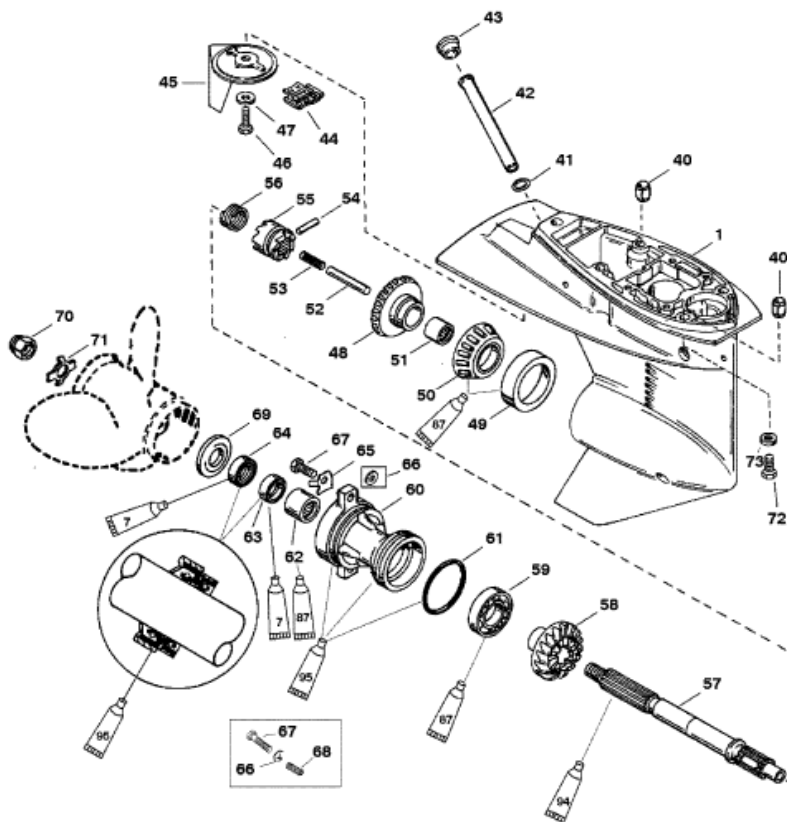





**3.44 IN./135MM
 TORPEDO DIA.**



-  7 Loctite 271 (92-809820)
-  87 Super Duty Gear Lubricant (92-13783A24)
-  95 2-4-C With Teflon (92-825407A12)

Parts List						
Ref	Class	Part	Description	Qty	Comment	Footnote
-	1682	821306A 8	GEAR HOUSING	1	(SHORT-BLACK)	
-	1682	821306A 6	GEAR HOUSING	1	(LONG-BLACK)	
-	1682	821306A10	GEAR HOUSING	1	(X-LONG-BLACK)	
-	1682	821306A 9	GEAR HOUSING	1	(SHORT-GRAY)	
-	1682	821306A 7	GEAR HOUSING	1	(LONG-GRAY)	
-	1682	821306A11	GEAR HOUSING	1	(X-LONG-GRAY)	
1	1682	821306A12	GEAR HOUSING	1	(BASIC-BLACK)	
1	1682	821306A13	GEAR HOUSING	1	(BASIC-GRAY)	
40	17	821327	DOWEL PIN	2		
41	27	823942	GASKET WATER TUBE	1		2
42	32	821828	TUBE	1		
43	19	824928	PLUG-RUBBER	1		
44		821829	SCREEN-WATER INLET	1		
45		822157C 2	TRIM TAB	1		
46	10	824970 20	SCREW (M8 X 20)	1		
47	12	72397	WASHER	1		
48	43	821315A 1	FORWARD GEAR ASSEMBLY (2	1		
49	31	99328A 1	ROLLER BEARING ASSEMBL	1		
50		NSS	CUP	1		5
51	31	41326	ROLLER BEARING	1		
52		821578	FOLLOWER-CAM	1		
53	24	826199 1	SPRING	1		
54	17	85093	PIN-CROSS	1		
55	52	821314	CLUTCH	1		
56	24	38114	SPRING	1		
57	44	821577 2	PROPELLER SHAFT	1		4
58	43	821312 1	REVERSE GEAR (26 TEETH)	1		4
59	30	20839	BALL BEARING	1		
60		19291A 3	BEARING CARRIER	1		
61	25	815460	O RING	1		2,8
62	31	21700	NEEDLE BEARING	1		
63	26	69188	OIL SEAL	1		8
64	26	69189	OIL SEAL	1		8
65	14	826613	TAB WASHER (USE WHERE AF	2		
66	12	70132	WASHER	2	(REPLACES TAB WASHER)	
66	12	855941	WASHER	2	(USE WITH THREADED INSERT	
67	10	40003 53	SCREW (M8 X 25 - CAP SCREW	2		
67	10	813691 1	SCREW (WASHER-HEAD SCRE	2		
67	10	855940 30	SCREW	2	(USE WITH THREADED INSERT	
68		822773 1	THREADED INSERT	2		
69		72345A 1	THRUST HUB	1		